

# WORKS BARRICADE

## 36" WOOD PANELS WITH GALVANIZED LEGS

### TD2300 MODEL

NCHRP350 CRASH TEST CERTIFIED  
AND MEETS MUTCD STANDARDS



FDOT APL # S102-000-016

#### FEATURES:

- Type I Barricade can be purchased as assembled units or component parts. Legs and boards can be purchased separately. All barricade components are completely interchangeable.
- Legs are standard 45" manufactured using galvanized steel in 14 gauge thickness.
- Steel legs painted white enamel upon request.
- Barricades are assembled utilizing 1/4" x 1" galvanized carriage bolts with locknut and hinged with two 1/2-13 X 1" hex bolts and 1/2-13 nylon locknuts.
- 36 inch wide plywood boards are painted white and are sheeted with 6 inch wide retroreflective sheeting.

#### COLORS AVAILABLE:

The TD2300 Works Barricades are currently available in White. Three D Traffic Works can manufacture this product to your desired color.

#### GENERAL INFORMATION:

General information is listed on the reverse side. The measurements provided are intended only as a source of information. They are given without guarantee and are not classified as a warranty. A specification will be sent to you upon request.

- **NCHRP350 Approved: WZ-54.**
- **MUTCD Compliant.**



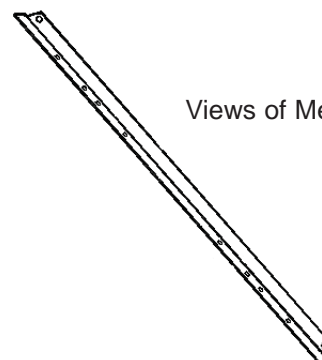
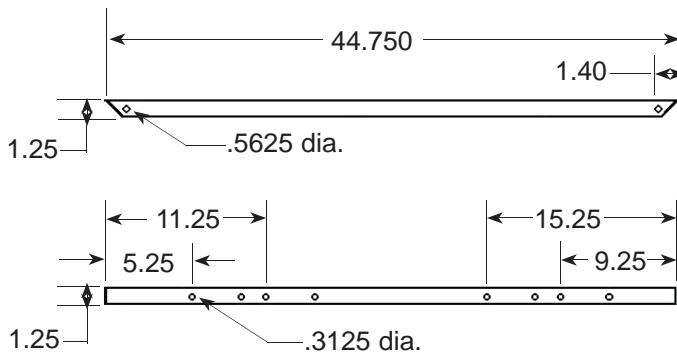
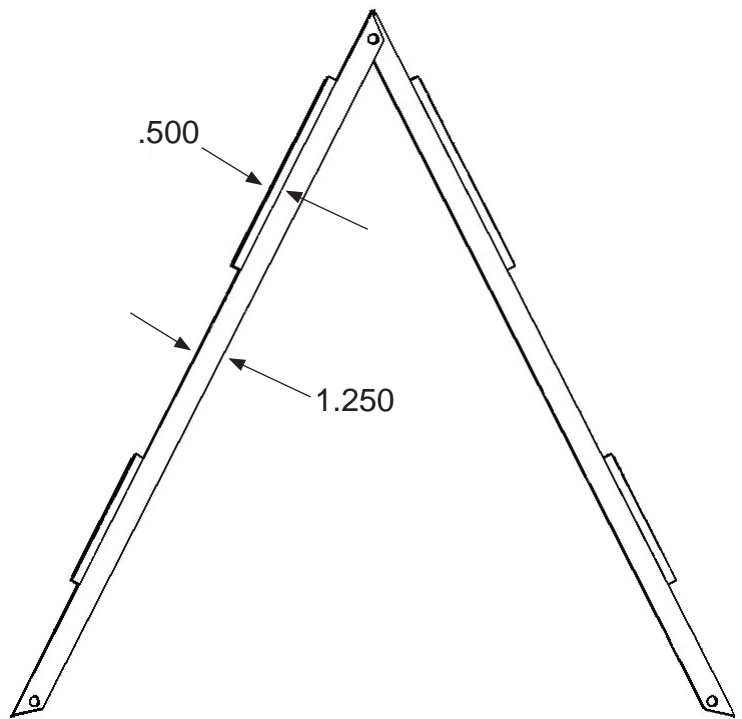
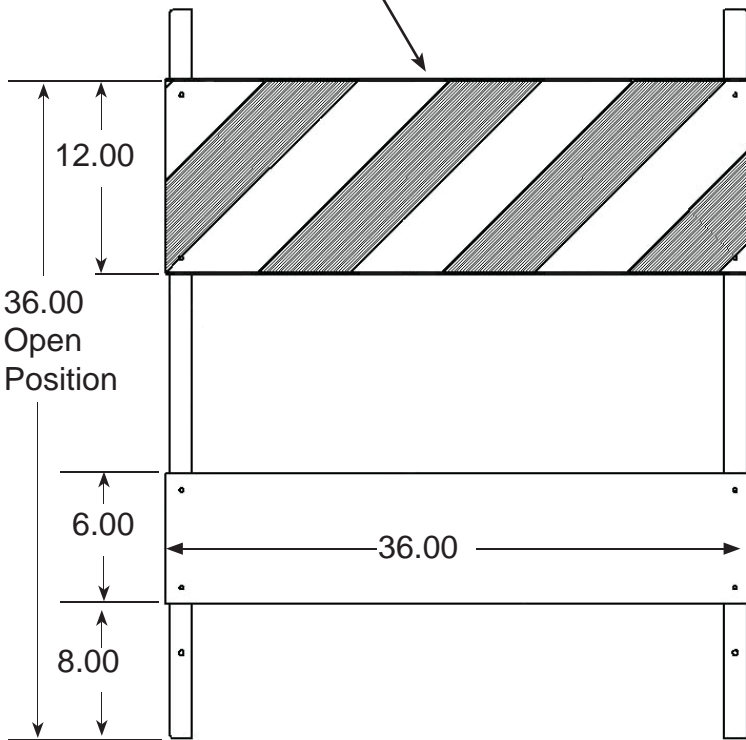


## TD2300 MODEL WORKS BARRICADE WITH WOOD BOARDS AND STEEL LEGS SPECIFICATIONS

- **Folded Dimensions:**  
 Thickness: 1.81 Inches  
 Length: 36 Inches  
 Height: 45 Inches
- **Plywood Board Thickness:**  
 1/2 Inch
- **Weight of Type I Barricade with 14 Gauge Steel Legs:** 15.75 lbs
- **Leg Material:** 14 Gauge Galvanized Steel Roll Form.
- **Board Colors:** White
- **All Sheeting Complies with ASTM 4956.01 requirements.**

6 inch wide striping

FDOT APL # S102-000-016



Views of Metal Barricade Legs